

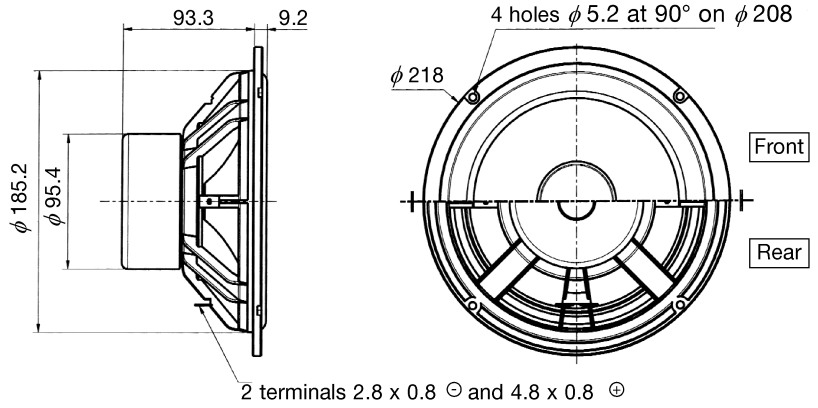
BASS MIDRANGE

AP210G6 W08PGS2511
102046M

102094P

Nov .98

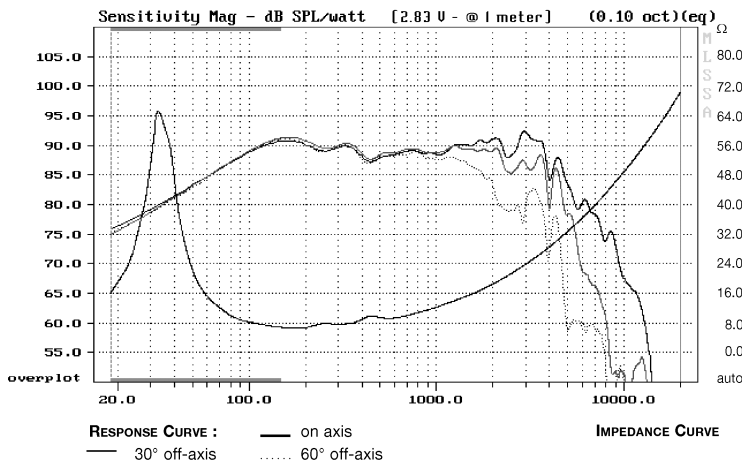
Shielded 8" coated paper cone
High impact polymer chassis



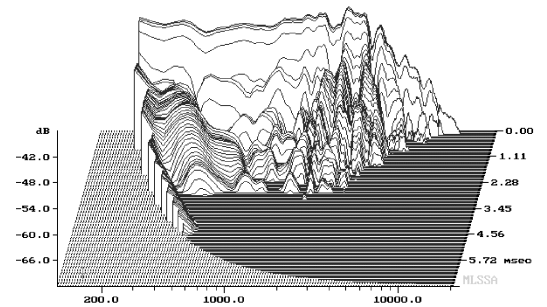
All dimensions in mm

- Fully shielded magnet system for audio video application
- Non resonant high impact polymer chassis
- Built in cosmetic ring designed for front-rear and recessed mounting
- Coated paper cone
- High loss rubber surround
- High temperature voice coil - 4 layers
- Aluminium former

Response Curve



Waterfall



SPECIFICATIONS

Technical characteristics	Symbol	Value	Units
PRIMARY APPLICATION			
Nominal Impedance	Z	6	Ω
Resonance Frequency	Fs	33,7	Hz
Nominal Power Handling	P	50	W
Sensitivity (2,83 V - 1m)	E	91,9	dB
VOICE COIL			
Voice Coil Diameter	ϕ	25	mm
Minimum Impedance	Zmin	6,5	Ω
DC Resistance	Dcr	5,6	Ω
Voice Coil Inductance	Lbm	1,40	mH
Voice Coil Length	h	11	mm
Former	-	Aluminium	-
Number of Layers	n	4	-
Wire type	-	round	-

MAGNET

Magnet Dimensions	ϕ x h	84x15 72x15	mm
Magnet Weight	m	0,347±0,245	kg
Flux Density	B	1	T
Force Factor	BL	8,98	NA ⁻¹
Height of Magnetic Gap	He	6	mm
Stray Flux	Fmag	-	Am ⁻¹
Linear Excursion	Xmax	± 2,5	mm

PARAMETERS

Suspension Compliance	Cms	1102	μ m/N
Mechanical Q Factor	Qms	3,68	-
Electrical Q Factor	Qes	0,30	-
Total Q Factor	Qts	0,28	-
Mechanical Resistance	Rms	1,16	kg s ⁻¹
Moving Mass	Mms	20,19	g
Effective Piston Area	S	226,98	cm ²
Volume Equivalent of Air at Cas	Vas	79,73	liters

Suggested Application

Vb	Fb	Dp	Lp	F-3
liters	Hz	cm	cm	Hz
20	48,1	6	14	61,3
30	49,9	6	7	52,2