

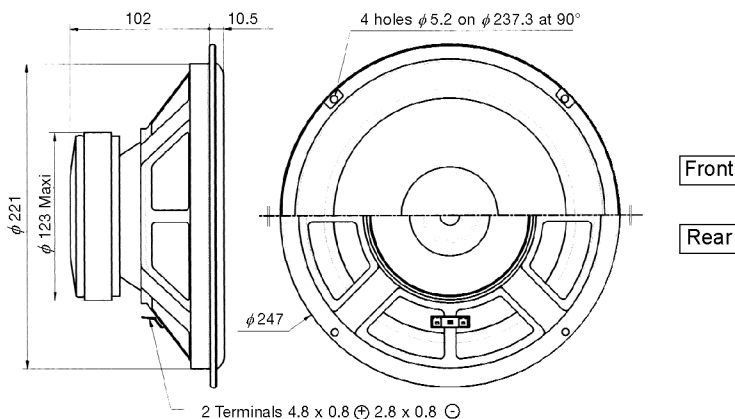
**WOOFER**

HT240G0 W04PGV3711  
102126L

102318A

Jan. 2000

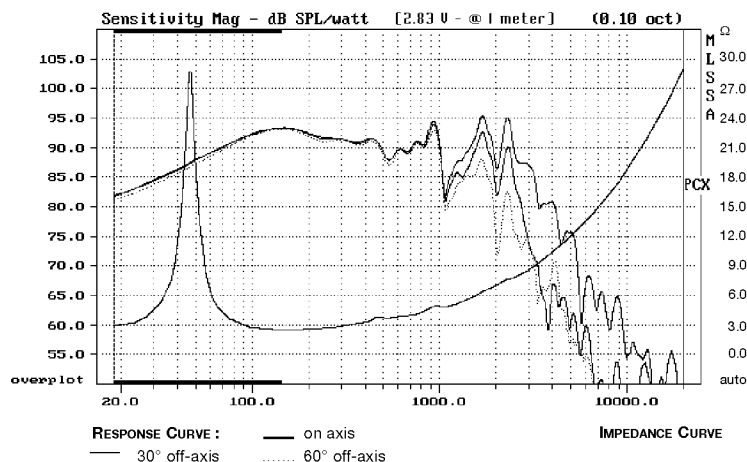
**10" Coated paper cone**  
**Rubber surround**  
**Steel chassis**



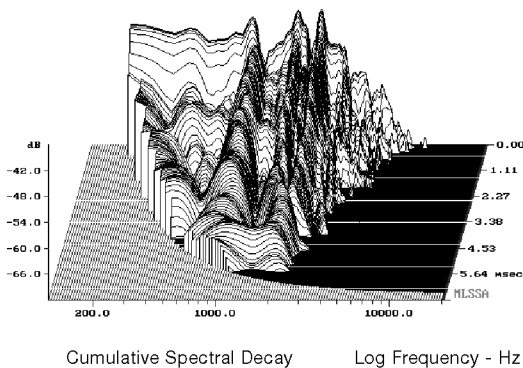
All dimensions in mm

- Progressive rolls spider "Long Neck Process"
- Bumped back plate for long excursion
- Dual stacked magnet for high BL and long excursion
- Large rubber surround
- Kapton former coil
- Heavy Gauge Stamped Steel Chassis
- Ideal for Home Cinema or Car subwoofer

**Response Curve**



**Waterfall**



**SPECIFICATIONS**

Technical characteristics	Symbol	Value	Units
<b>PRIMARY APPLICATION</b>			
Nominal Impedance	Z	4	Ω
Resonance Frequency	Fs	48,9	Hz
Nominal Power Handling	P	160	W
Sensitivity (2,83 V - 1m)	E	92	dB
<b>VOICE COIL</b>			
Voice Coil Diameter	φ	37	mm
Minimum Impedance	Zmin	3,2	Ω
DC Resistance	Dcr	2,9	Ω
Voice Coil Inductance	Lbm	0,67	mH
Voice Coil Length	h	20	mm
Former	-	kapton	-
Number of Layers	n	2	-
Wire type	-	Round	-
Wire material	-	Copper	-

**MAGNET**

Magnet Dimensions	φ x h	2x(121x20)	mm
Magnet Weight	m	2x(0,89kg)	kg
Flux Density	B	1,2	T
Force Factor	BL	7,36	NA <sup>-1</sup>
Height of Magnetic Gap	He	6	mm
Stray Flux	Fmag	-	Am <sup>-1</sup>
Linear Excursion	Xmax	±7	mm

**PARAMETERS**

Suspension Compliance	Cms	243	μm/N
Mechanical Q Factor	Qms	10,01	-
Electrical Q Factor	Qes	0,72	-
Total Q Factor	Qts	0,67	-
Mechanical Resistance	Rms	1,33	kg s <sup>-1</sup>
Moving Mass	Mms	43,5	g
Effective Piston Area	S	323,6	cm <sup>2</sup>
Volume Equivalent of Air at Cas	Vas	35,82	liters
Mass of Speaker	M	3,9	kg

**Suggested Applications**

Vb	Fb	Dp	Lp	F-3
liters	Hz	cm	cm	Hz
-	Free Air Amplification			-
-	-	-	-	-